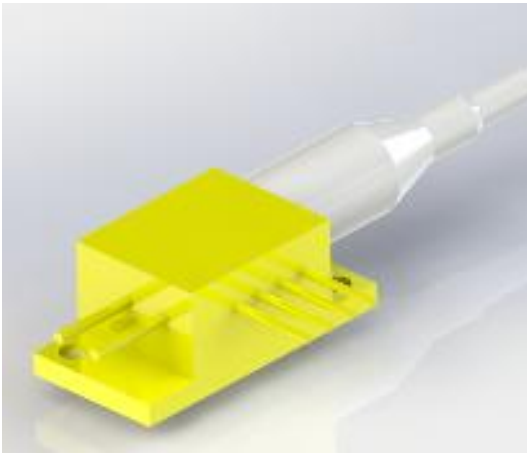
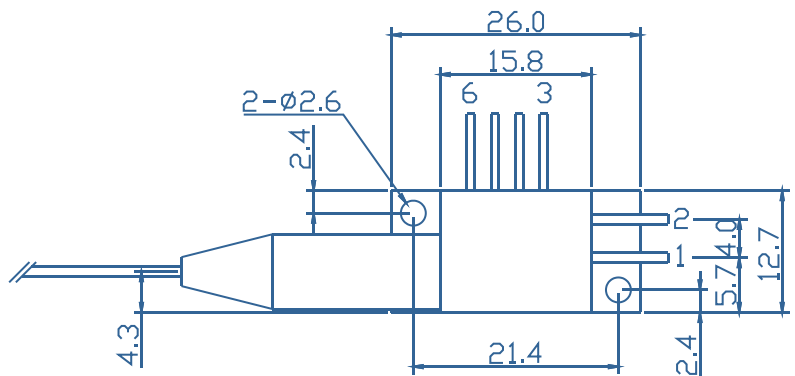
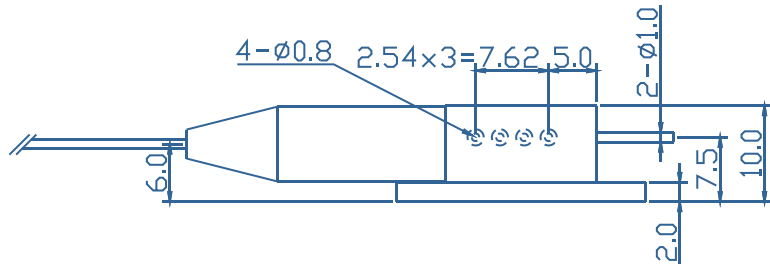


T-Series High Power Laser Diode Module



- Features**
- ◆ High output power of 10 W
 - ◆ 105µm/0.22NA multimode optical fiber
 - ◆ Center wavelength 976±0.5 nm
- Applications**
- ◆ Fiber laser pumping
 - ◆ Material processing

Package Dimensions (mm)



Pin-out Assignment	
Pin	Function
1	LD (+)
2	LD (-)
3	Thermistor
4	Thermistor
5	PD (N)
6	PD (P)

Typical Device Performance (25°C)

	Min	Typical	Max	Unit
Optical				
CW Output Power	-	10	-	W
Center Wavelength	-	976±0.5	-	nm
Spectral Width	-	<0.5	-	nm
Wavelength Shift with Temperature	-	0.02	-	nm / °C
Electrical				
Threshold Current	-	0.7	-	A
Operating Current	-	11.6	-	A
Operating Voltage	-	1.6	-	V
Slope Efficiency	-	0.9	-	W / A
Power Conversion Efficiency	-	53	-	%
Fiber*				
Fiber Core Diameter	-	105	-	μm
Fiber Cladding Diameter	-	125	-	μm
Fiber Buffer Diameter	-	250	-	μm
Numerical Aperture	-	0.22	-	-
Fiber Length	-	1-5	-	m
Fiber Connector	-	-	-	-

* Customized fiber and connector available.

Absolute Ratings

	Min	Max	Unit
Operating Temperature	15	35	°C
Operating Relative Humidity	-	75	%
Cooling Mode	-	Water cooling (25°C)	-
Storage Temperature	-20	80	°C
Storage Relative Humidity	-	90	%
Lead Soldering Temperature (10 s max)	-	250	°C